

FIXED POSITION 2D IMAGER

KIT-1125

SCANNING

- Scans & Decodes
 - Linear
 - Stacked Linear
 - Matrix
- OCR
- Red LED Illumination
- Green LED Aiming Line
- Captures 8-Bit Grayscale Image
- Smart Focus
- Resolution 640 x 480 (VGA)

ELECTRICAL

- I/O: 5VDC Trigger Input
- Power Supply: 5VDC Input
- Peak Current: 250mA (note: can be reduced depending on configuration and settings)

INTERFACE

- USB Com Port Emulation
- True RS232
- USB HID

ENVIRONMENTAL

- Operating Temperature: 32°F to 122°F (0° to 50°C)
- Relative Humidity: 95% RH non-condensing, at +50°C
- Designed to meet FCC Class B and CE

PART NUMBER CONFIGURATION

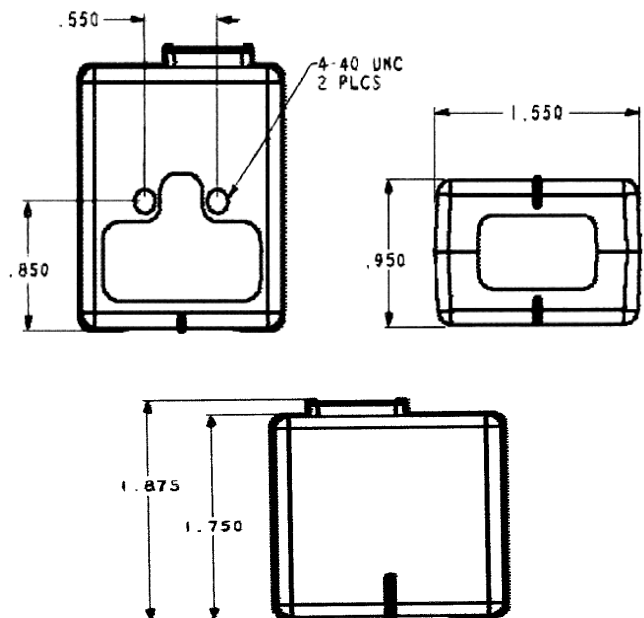
KIT-1125SF - Fixed Mount 2D Imager Smart Focus
 KIT-1125HD - Fixed Mount 2D Imager High Density
 KIT-1125SR - Fixed Mount 2D Imager Standard Range

OPTIONS

- | | | |
|--|--|--|
| <p>I. Focus Option
 SR – Std Range
 SF – Smart Focus
 HD – High Density</p> | <p>II. Trigger Option
 Default – Software Trigger
 P – Pin Hole Access
 B – External Button/Trigger</p> | <p>III. Interface Option
 True RS232
 USB 1.0</p> |
| <p>IV. Aimer
 G – Green</p> | | |



PHYSICAL



ORDERING INFORMATION

ORDER AS: KIT-1125
 RESCO ELECTRONICS
 4961 MERCANTILE RD
 BALTIMORE, MD 21236
 PH: 410-931-8200 FAX: 410-931-8221
 WEB: www.rescoelectronics.com

WARRANTY

1 Year Limited Warranty